

select

RACKMOUNT PDU WITH RACKLINK™

Value oriented, intelligent outlet offering that is as versatile as your system and universally controlled

FEATURES

- **The control you need to maintain the uptime of your equipment.** After you go through the easy set-up of the RackLink™ user interface, you'll have individual IP outlet control for 4 or 8 outlets.
- **Manage the start-up or shut down of your equipment.** RackLink™ enables remote sequencing with user selectable delays for an optimal start-up or shut down progression.
- **Protect your equipment.** Each PDU comes with basic surge to protect your devices from harmful power anomalies.
- **Fast and easy commissioning.** Using the RackLink™ Discovery app on iPhone or Android, quickly connect your RackLink™ enabled PDUs and monitor your system, anywhere, anytime.
- **Automate it and forget about it.** Improve your system reliability by automating actions such as multiple IP AutoPing and recovery.
- **Always be informed.** Receive automatic notifications of connection status.
- **Do you prefer to use a third party software?** Seamlessly interfaces with 3rd party AV control systems and cloud platforms for scheduling, control, reporting and even customization.



RLNK-415R



RLNK-420R



RLNK-915R



RLNK-920R



select

RACKMOUNT PDU WITH RACKLINK™

SPECIFICATIONS

Select Series Rackmount PDU with RackLink™ Series power management products shall be Middle Atlantic Products model # RLNK-___R (refer to chart). Select Series Rackmount PDU with RackLink power products shall be 1.75"H x ___"W x 9.67"D (refer to drawing). Select Series Rackmount PDU with RackLink shall have a amp power capacity (refer to chart). Select Series Rackmount PDU with RackLink shall provide MOV surge and spike protection. Select Series Rackmount PDU with RackLink shall provide ___ total outlets, ___ of which shall be individually controllable (refer to chart). Select Series Rackmount PDU with RackLink shall provide sequencing. Select Series Rackmount PDU with RackLink shall include a 9' power cord. Select Series Rackmount PDU with RackLink shall monitor specific remote IP devices and services and shall automatically reboot an unresponsive network device and provide alerts via e-mail. Select Series Rackmount PDU with RackLink shall allow local export of log files in CSV format, and shall allow log files to be extracted to 3rd party databases via IP. Select Series Rackmount PDU with RackLink shall include an integrated web server for browser-based access and control. Select Series Rackmount PDU with RackLink shall utilize an open-architecture serial communications protocol that is cloud compliant without being cloud dependent, and provide an API for seamless integration into any IP based architecture. Select Series Rackmount PDU with RackLink shall be fully compliant with any control system or aggregator. Select Series Rackmount PDU with RackLink shall be constructed of phosphate pre-treated steel with a black powdercoat finish. Select Series Rackmount PDU with RackLink shall be manufactured by an ISO 9001 and ISO 14001 registered company. Select Series Rackmount PDU with RackLink shall be warrantied to be free from defects in materials and workmanship under normal use and conditions for a period of 3 years. Select Series Rackmount PDU with RackLink shall be listed to UL standard 62368-1 in US and to CAN/CSA C22.2 #62368-1 in Canada and FCC Part 15, Class B.



select

RACKMOUNT PDU WITH RACKLINK™

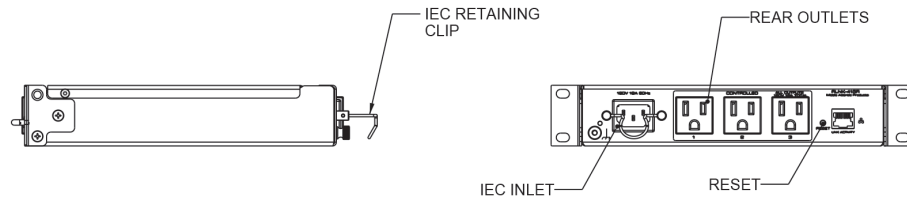
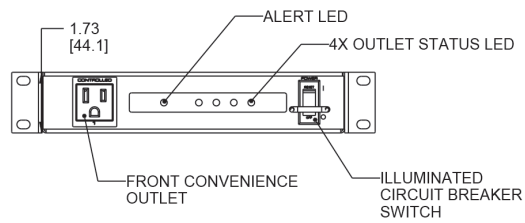
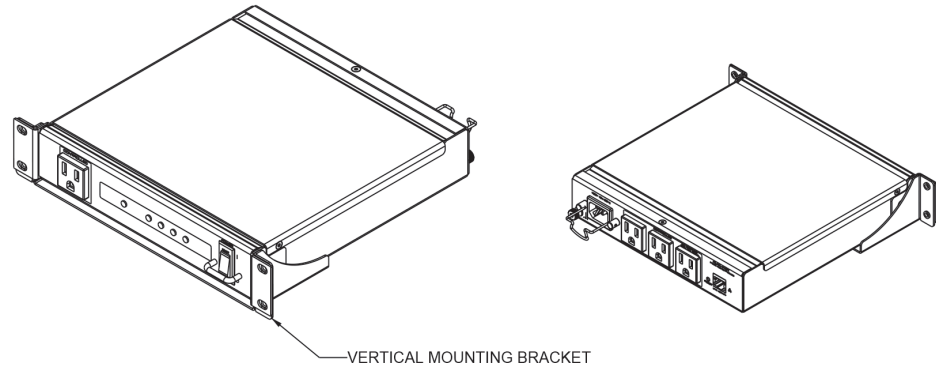
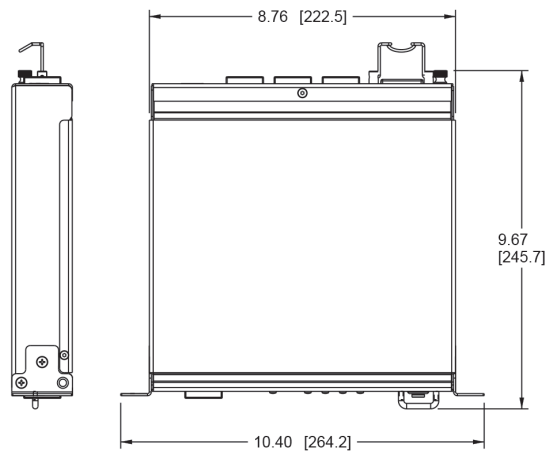
ELECTRICAL SPECIFICATIONS

		RLNK-415R	RLNK-420R	RLNK-915R	RLNK-920R
SUMMARY	Form Factor	Half Rackmount		Rackmount	
	Max Load	20A	15A	20A	20A
	Rated Load	16A	12A	16A	16A
	Surge Protection	Yes			
	Sequencing	Yes			
	# of Outlets	4 Total / 4 Controlled		9 Total / 8 Controlled	
	Integrated Web Server	Yes			
AC POWER	Connection Type	9ft. IEC (15A)	9ft. IEC (20A)	9ft. IEC (15A)	9ft. IEC (20A)
	Line Voltage	Nominal: 120VAC / Minimum: 80VAC / Maximum: 140VAC			
	Maximum Peak Load	15A	20A	15A	20A
	Maximum Continuous Load	12A	16A	12A	16A
	No Load Power Dissipation	Less Than 1W Note: Ethernet disconnected, all relays off			
BASIC SURGE SPECIFICATION	Peak Impulse Current (8/20uS Waveform)	- 12,000 Amps, one time, 9,000 Amps, two times within 5 minutes - Maximum peak impulse current pulse as defined between line and neutral - Maximum multiple impulse current derated per spec			
	Protection Mode	Line to Neutral only; no ground contamination			
	Response Time	Less than 1 nanosecond			
	Surge Energy Dissipation	120 Joules (10 / 100 micro seconds)			
	EMI/RF Suppression	>20dB Calculated Line to Neutral - 100kHz to 1Mhz - based on nominal impedance			
REGULATORY APPROVALS	Safety	cETLus Listed to UL 62368-1 and CSA C22.2 No. 62368-1			
	EMI/RF	FCC Part 15, Class B			
EVENT DRIVEN / RESPONSES	AutoPing No Response / Recovery	Email and/or Control Outlet			
GENERAL	Operating Temperature Range	32 - 104°F (0 - 40°C)			
	Humidity Range	0 - 95%, non-condensing			
	Communication	TCP/IP, HTTP (Integrated web server)			
	Warranty	3 years limited warranty			

select

RACKMOUNT PDU WITH RACKLINK

BASIC DIMENSIONS



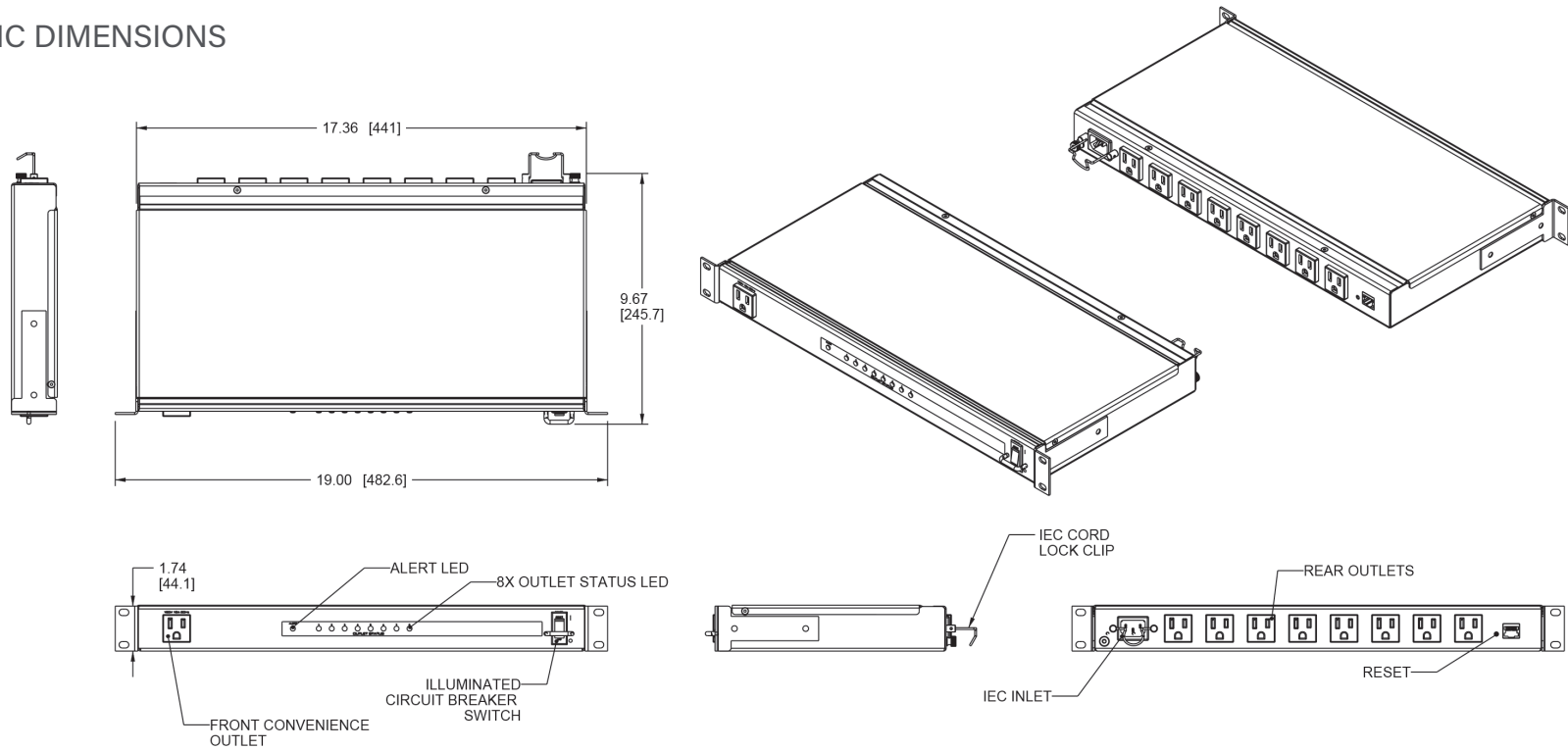
RLNK-415R & RLNK-420R

NOTES(S):
1. MODEL NUMBERS RLNK-415R AND RLNK-420R ARE SHOWN
2. DIMENSIONS ARE IN THE FORMAT IN [MM]

select

RACKMOUNT PDU WITH RACKLINK

BASIC DIMENSIONS



RLNK-915R & RLNK-920R

- NOTES(S):
 1. MODEL NUMBERS RLNK-915R AND RLNK-920R ARE SHOWN
 2. DIMENSIONS ARE IN THE FORMAT IN [MM]

LEGRAND | AV COMMERCIAL BRANDS

C2G | Chief | Da-Lite | Luxul | Middle Atlantic | Vaddio | Wiremold

WHAT GREAT SYSTEMS ARE BUILT ON™ | legrandav.com

USA 800.266.7225 av.middleatlantic.support@legrand.com CANADA 888.766.9770 av.middleatlantic.support@legrand.com

©2023 Legrand AV Inc. 230445 96-01237 Rev A 8/23 Middle Atlantic is a registered trademark of Legrand AV Inc. All other brand names or marks are used for identification purposes and are trademarks of their respective owners. All patents are protected under existing designations. Other patents pending.